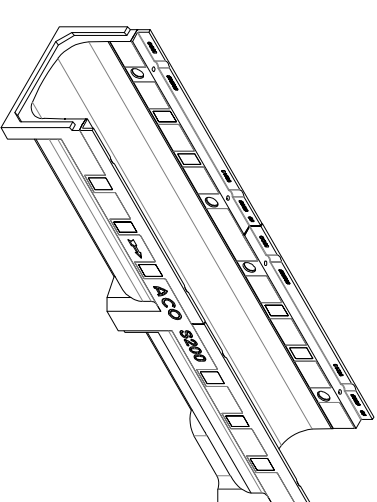
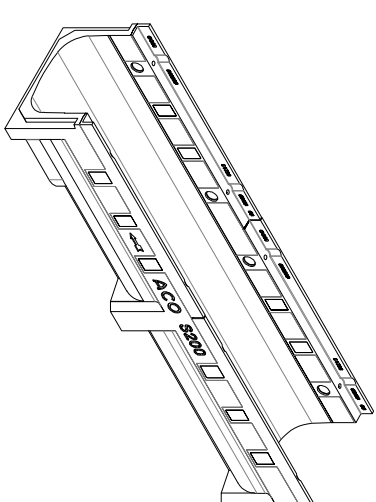
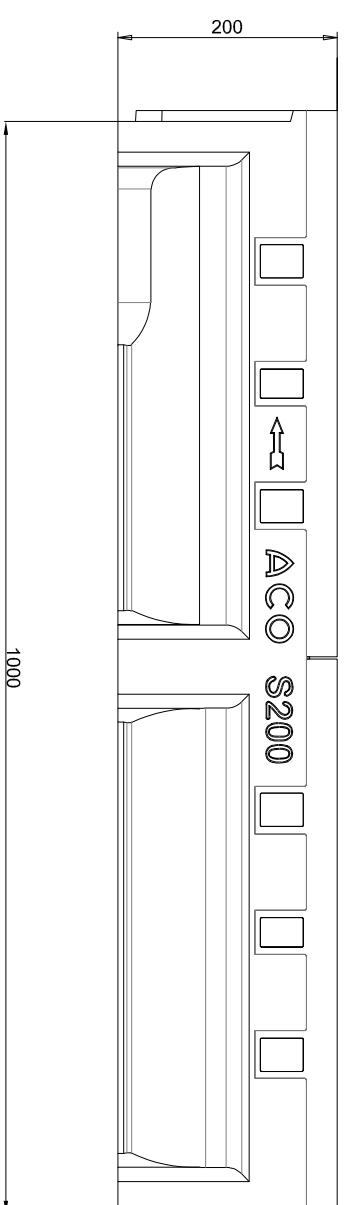
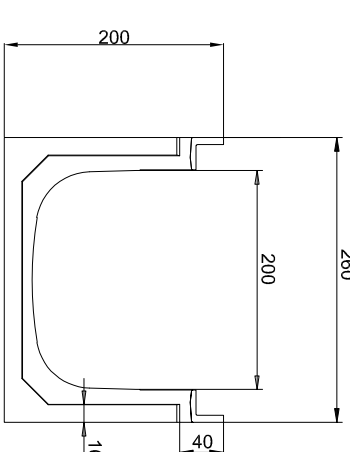
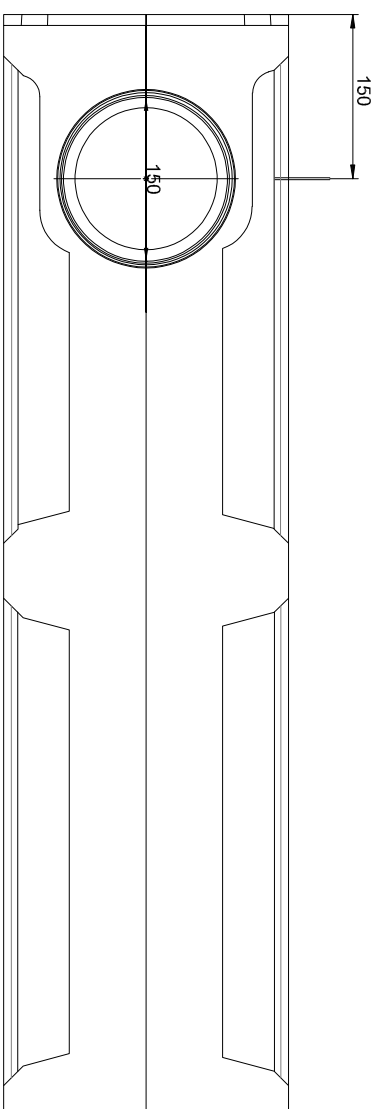


SCALE 1:10



for missing dimensions see 3D model

| Pos. | Item No./index | Article No. | Item name                                      | Drw.No. | Mat.No. | Raw Mat | QTY | Weight (kg) | Basic Material        |
|------|----------------|-------------|--|---------|---------|---------|-----|-------------|-----------------------|
| 10   | 1161233        | 001         | S200 Channel 1m height 200                     | -       |         |         | 1   | 26.2        | Polymer concrete D2,2 |
| 20   | 1135876        | 001         | Edge rail Cast Iron S200 / S300 Channel 135876 |         |         |         | 4   | 1.67        | 0.6020 (EN-GJL-200)   |

|                      |                 |
|----------------------|-----------------|
| 001                  | First revision  |
| Index/Modification:  |                 |
| Technical reference: | ISO 8062-CT9    |
| general tolerance:   | deburred        |
| surface:             |                 |
| weight:              | 32.9 kg         |
| document type:       | production drw. |
| basic material:      |                 |
| created by:          |                 |
| reviewed by:         |                 |
| projection:          | SC-E            |
| scale:               | 1:5             |

|                                 |      |
|---------------------------------|------|
| title:                          | S200 |
| ACQO S200 Channel 1m height 200 |      |
| ACQO Zlaby 1m Výška 200         |      |
| ACO Industries k.s.             |      |
| Headoffice 200                  |      |
| 56222 Příbram                   |      |
| Česká republika                 |      |
| acoindustries@aco.cz            |      |
| www.aco.cz                      |      |

|   |                |         |        |     |               |        |
|---|----------------|---------|--------|-----|---------------|--------|
| The reproduction, distribution and affiliation of this document as well as the communication of its content to others without express authorization is prohibited. Offenders will be held liable for the payment of damages. All rights reserved in the event of the grant of a patent, utility model or design. Observe copyright by ISO 15016 | Graphical no.: | 1161235 | Index: | 001 | release date: |        |
|   |                |         |        |     |               | sheet: |
|   |                |         |        |     |               | 1/1    |